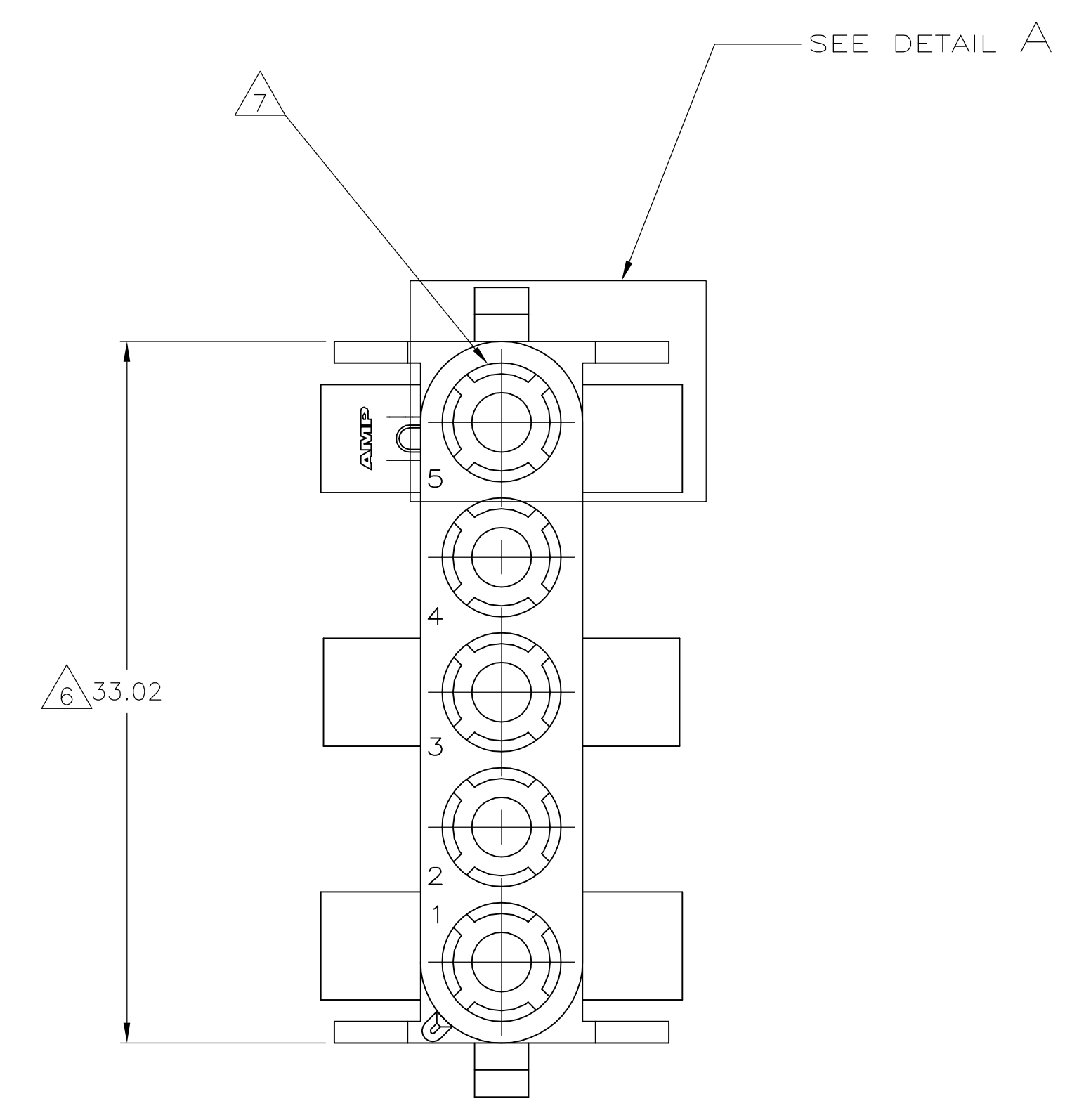
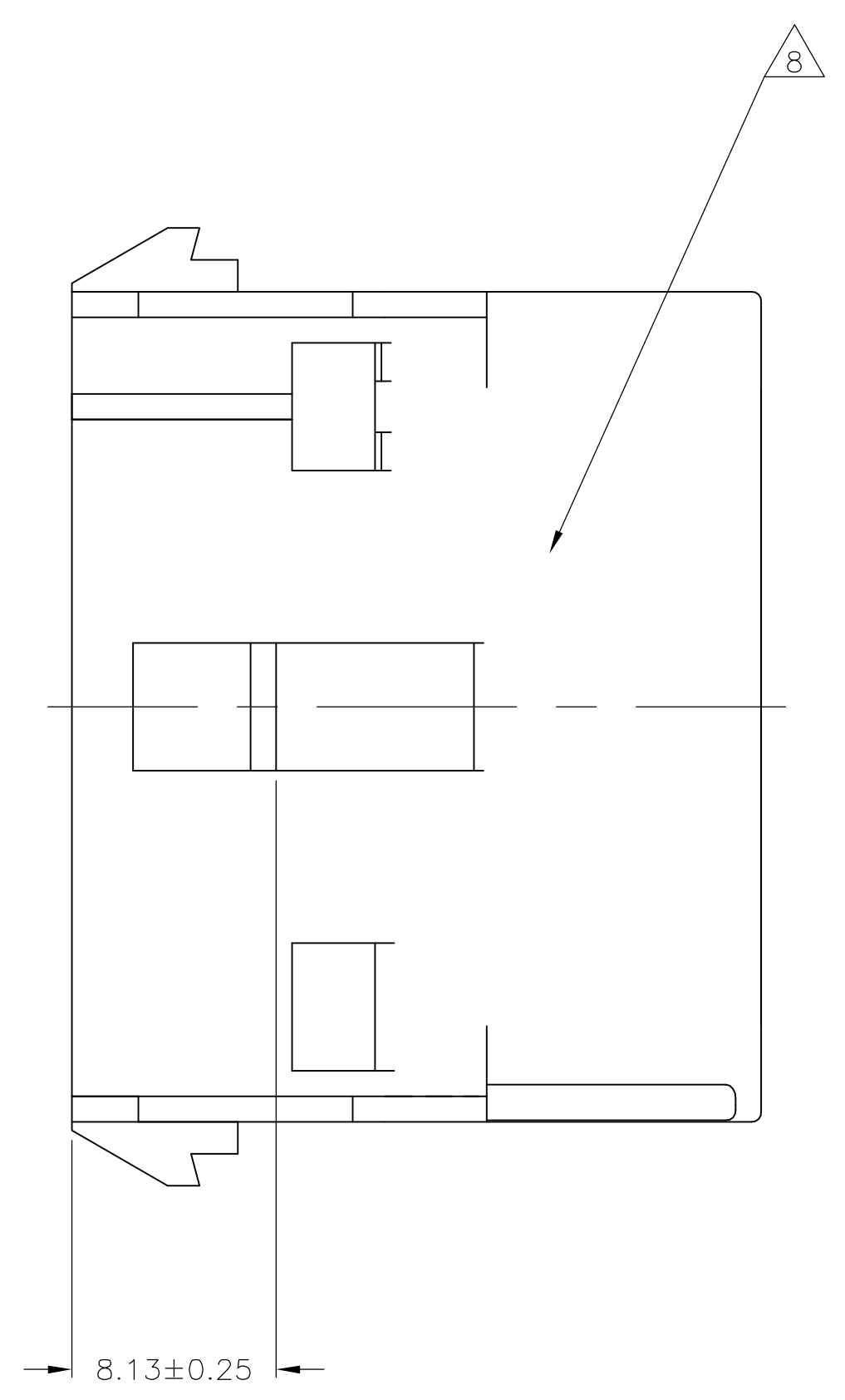
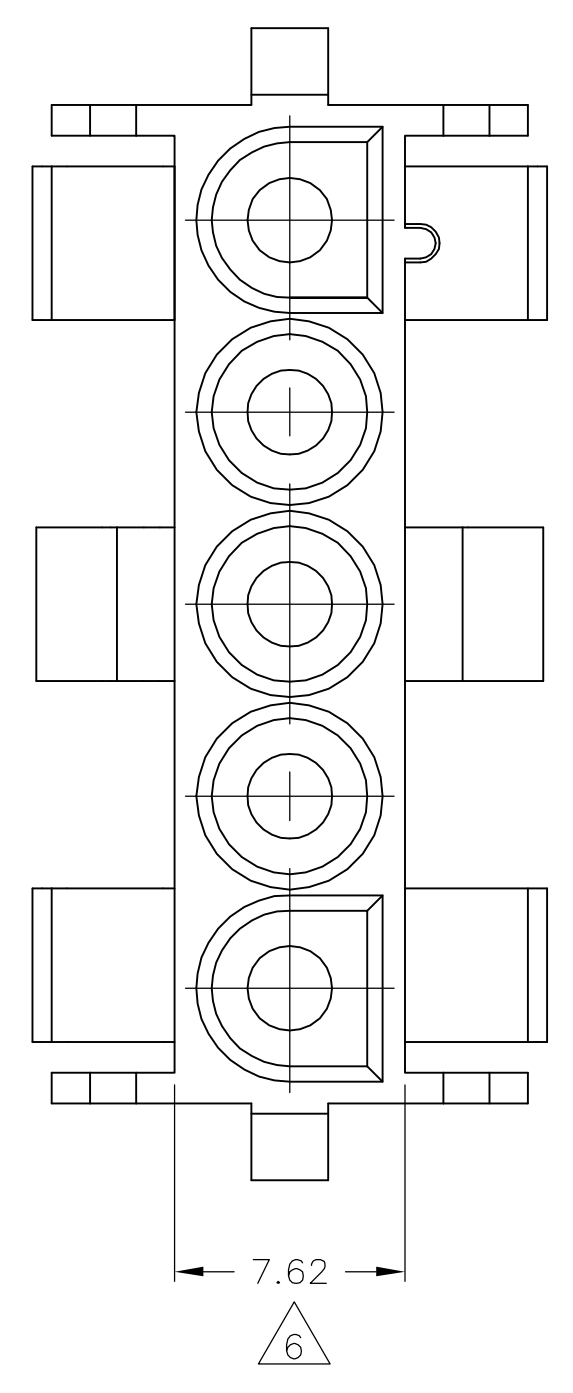
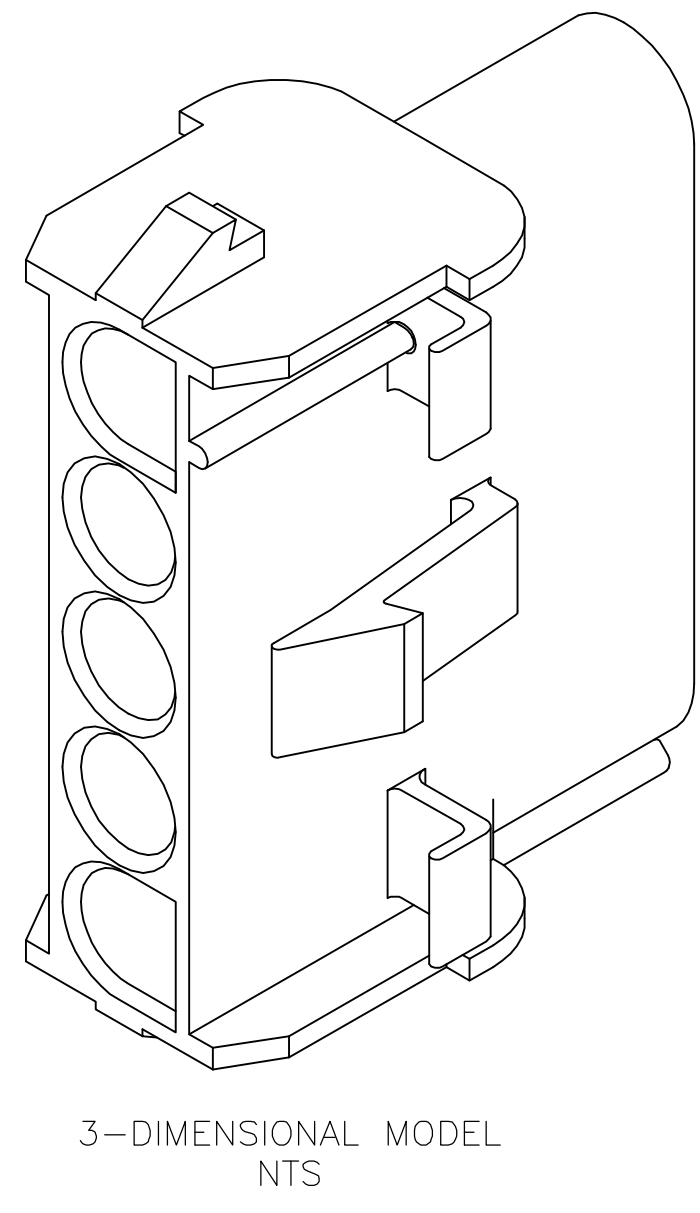
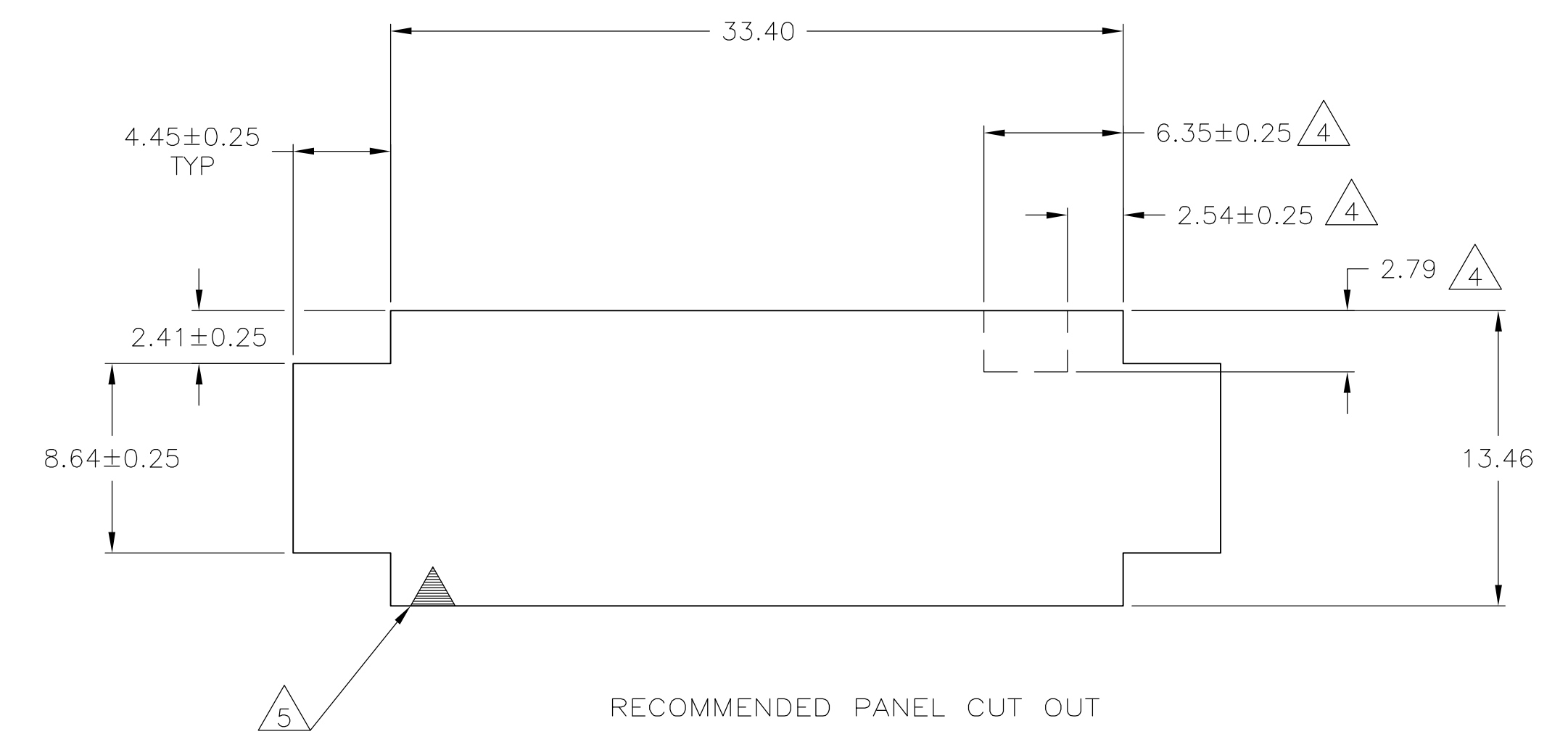
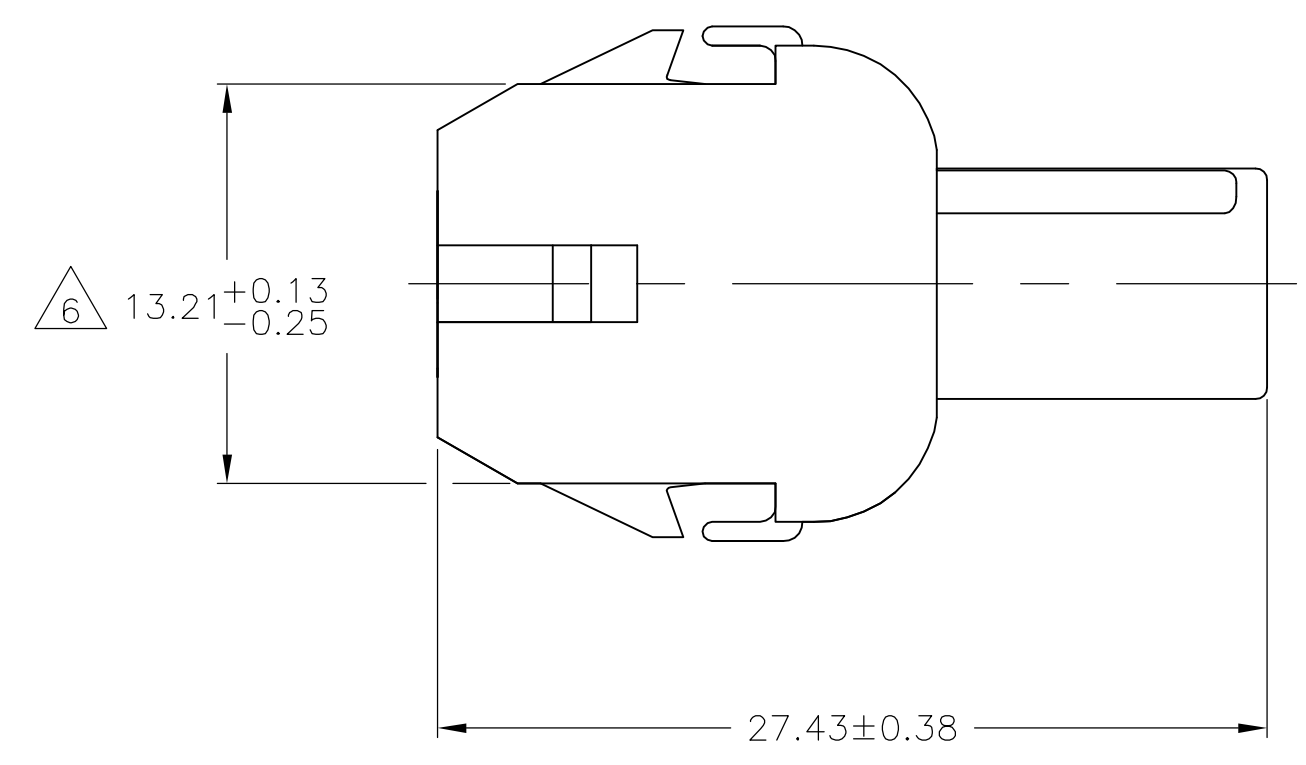
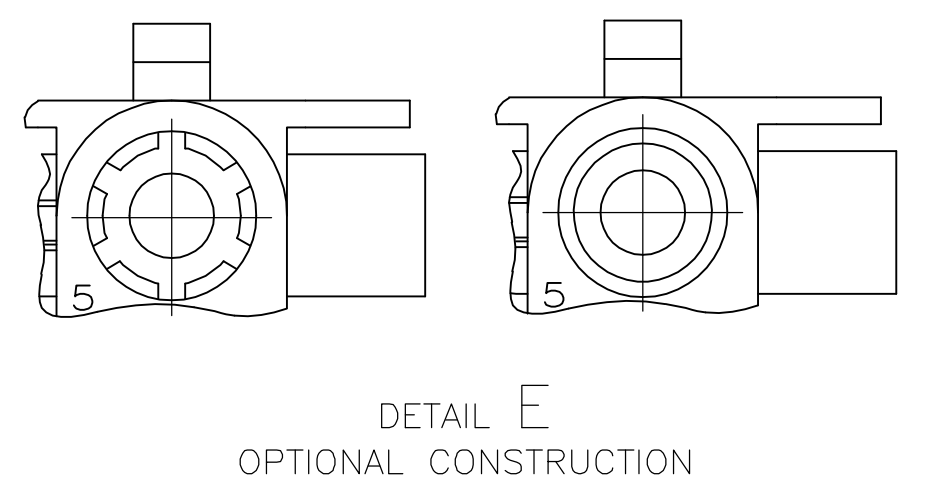


LOC	DIST	REVISIONS			
P	LTR	DESCRIPTION	DATE	DWN	APVD
AD	ECO-06-013896		01SEP06	BSV	GSR



1. MATES WITH APPROPRIATE UNIVERSAL MATE-N-LOK™ PLUG.
2. RECOMMENDED PANEL THICKNESS 3.076 - 2.29.
3. PANEL MUST BE PUNCHED SO THAT THE HOUSING ENTERS THE PANEL IN THE SAME DIRECTION AS THE PUNCH.
4. OPTIONAL FOR KEYING HOUSING IN PANEL.
5. CIRCUIT NUMBER 1 LOCATION.
6. DIMENSION INDICATED IS AS MOLDED. ADDITIONAL GROWTH DUE TO SUBSEQUENT MOISTURE ABSORPTION MAY OCCUR.
7. FOUR RIBS EQUALLY SPACED, NO SPECIFIC ORIENTATION. NO RIBS OR SIX RIBS EQUALLY SPACED, NO SPECIFIC ORIENTATION, OPTIONAL.
8. UNDERWRITERS RECOGNIZED COMPONENT LOGO AND CSA CERTIFICATION LOGO TO BE LOCATED ONCE EACH ON SIDE OF HOUSING.



MM	IN	MM	IN
4.45	.175	33.40	1.315
2.79	.110	33.02	1.300
2.54	.100	27.43	1.080
2.41	.095	13.46	.530
2.29	.090	13.21	.520
0.76	.030	8.64	.340
0.38	.015	8.13	.320
0.25	.010	7.62	.300
0.13	.005	6.35	.250

CONVERSION TABLE

BLACK	480764-9
GRAY	480764-8
BLUE	480764-6
GREEN	480764-5
YELLOW	480764-4
ORANGE	480764-3
RED	480764-2
BROWN	480764-1
NATURAL	1-480764-0
COLOR	PART NO

METRIC

THIS DRAWING IS A CONTROLLED DOCUMENT.

DIMENSIONS:	TOLERANCES UNLESS OTHERWISE SPECIFIED:	DWN	K. WHITAKER	07JUN92		Tyco Electronics Corporation Harrisburg, PA 17105-3608
mm	0.13 ± -	CHK	R. SWING	07JUN92		
	0.25 ± -	APVD	D. SELF	08JUN92	NAME	CAP.5 CIRCUIT, UNIVERSAL MATE-N-LOK™
	0.38 ± -	APPLICATION SPEC			SIZE	A1
	0.76 ± -	WEIGHT			CAGE CODE	00779
	1.52 ± -	CUSTOMER DRAWING			DRAWING NO	480764
	3.15 ± -	SCALE	4:1		SHEET	1 OF 1
	6.35 ± -	REV	AD			